



Compact DC Power Supply PMC-A/PMC Series

Both the PMC and PMC-A Series Deliver High Reliability and Sophisticated Features in a Compact Body
Maximum Output Voltage (18V to 500V) 20 Models

PMC-A/PMC Series

DC Power Supply (CV/CC)

Basic Standard for the Compact Power Supply

The PMC and PMC-A Series are compact, high-performance, constant voltage, constant current series regulated DC power supplies. The adoption of series regulated design realizes a highly stable output with a low level of output noise. LED digital meter which is legible even in dimly lit location, and electronic switches which eliminate relay chattering, are also featured in this series. In addition, some of the PMC-A Series are equipped with various remote control functions, and when connected with power supply controllers, allow compatibility with GPIB systems.



PMC Series

PMC-A Series

Features (PMC-A Series)

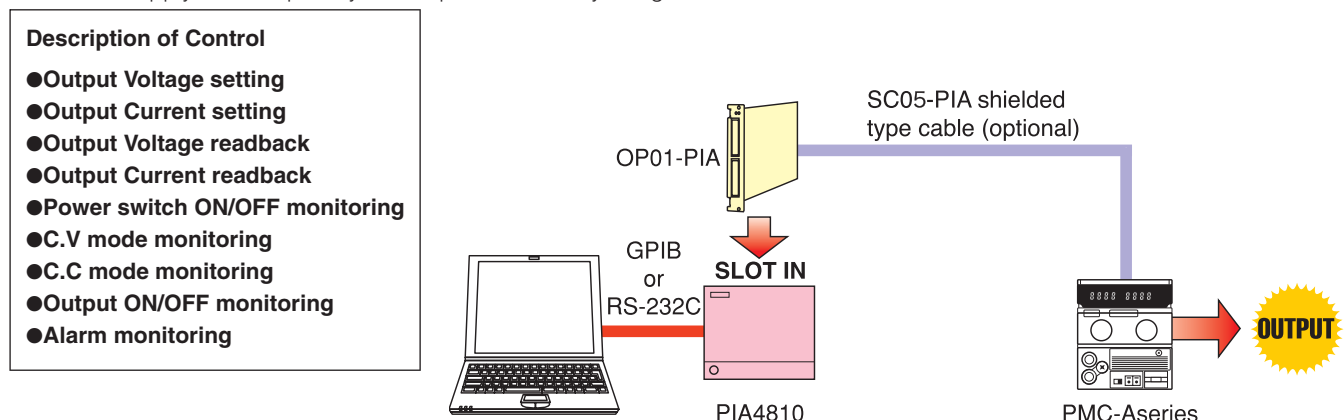
- Simultaneous display of voltage and current values.
- GPIB control by combining with power supply controllers.
- External analog remote control of voltage and current.
- Equipped with output monitoring function (voltage, current, status)
- Front Panel Output ON/OFF switch.
- 10-turn potentiometer for setting of voltage and current.
- Remote sensing function (Only models of which rated output voltage is 18V or 35V)
- Capacity can be expanded by Master-slave parallel operation
- Overvoltage protection (OVP) and overheating protection (OHP) are provided as standard functions.

Features (PMC Series)

- Front panel output ON/OFF switch.
- 10-turn potentiometer for setting of voltage (single-turn potentiometer for setting of current)
- Capacity can be expanded by one-control parallel operation
- Overvoltage protection (OVP) and overheating protection (OHP) are provided as standard functions.

Computer Control (PMC-A series only)

The Power Supply has a capability of Computer Control by using with PIA4800 Series.



Specifications

Model	Output		Ripple		Line Regulation		Load Regulation		Power Source*	Power Consumption	Dimensions	Weight
	CV	CC	CV	CC	CV	CC	CV	CC	AC	Approx.		Approx.
	V	A	mVrms	mArms	mV	mA	mV	mA	V±10%	VA	Type	kg
PMC18-1A	0 to 18	0 to 1	0.5	1	1	10	2	5	100	50	I	3.5
PMC18-2A	0 to 18	0 to 2	0.5	1	1	10	2	5	100	100	I	4.0
PMC18-3A	0 to 18	0 to 3	0.5	1	1	10	4	5	100	160	I	5.0
PMC18-5A	0 to 18	0 to 5	0.5	2	1	5	5	10	100	230	II	6.0
PMC35-0.5A	0 to 35	0 to 0.5	0.5	1	3	10	3	5	100	50	I	3.5
PMC35-1A	0 to 35	0 to 1	0.5	1	3	10	3	5	100	95	I	4.0
PMC35-2A	0 to 35	0 to 2	0.5	1	3	10	3	5	100	190	I	5.0
PMC35-3A	0 to 35	0 to 3	0.5	1	3	5	4	10	100	240	II	6.0
PMC70-1A	0 to 70	0 to 1	1	1	5	2	5	10	100	150	II	5.5
PMC110-0.6A	0 to 110	0 to 0.6	2	1	7	2	7	5	100	150	II	5.5
PMC160-0.4A	0 to 160	0 to 0.4	3	1	10	2	10	5	100	150	II	5.5
PMC250-0.25A	0 to 250	0 to 0.25	3	1	15	1	15	5	100	150	II	5.5
PMC350-0.2A	0 to 350	0 to 0.2	5	1	25	1	25	5	100	150	II	5.5
PMC500-0.1A	0 to 500	0 to 0.1	10	1	30	1	30	3	100	110	II	5.0
PMC18-2	0 to 18	0 to 2	0.5	1	1	10	2	5	100	100	I	4.0
PMC18-3	0 to 18	0 to 3	0.5	1	1	10	4	5	100	160	I	5.0
PMC18-5	0 to 18	0 to 5	0.5	2	1	5	5	10	100	230	II	6.0
PMC35-1	0 to 35	0 to 1	0.5	1	3	10	3	5	100	95	I	4.0
PMC35-2	0 to 35	0 to 2	0.5	1	3	10	3	5	100	190	I	5.0
PMC35-3	0 to 35	0 to 3	0.5	1	3	5	4	10	100	240	II	6.0

*Power Source: (1)105V to 130V (2)180V to 220V (3)195V to 239V (4) 210V to 250V are available upon request.

Unless otherwise specified, the specifications are based on the following conditions: resistance load, output grounded, remote sensing off, warm-up period of 30 minutes.

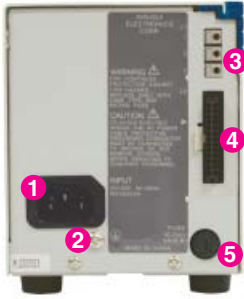
<p>■ Output Voltage</p> <p>Continuously variable by 10-turn potentiometer Output voltage temperature coefficient: 100 ppm/°C (typ) Transient response time: 50µs 100µs:(PMC70-1A,PMC110-0.6A,PMC160-0.4A,PMC250-0.25A,PMC350-0.2A,PMC500-0.1A)</p> <p>■ Output Current</p> <p>Continuously variable by 10-turn potentiometer (PMC-A series) Continuously variable by single-turn potentiometer (PMC series) Output current temperature coefficient: 200 ppm/°C (typ)</p> <p>■ Meter Display (Green LED)</p> <p>● Output Voltage</p> <p>Display error ±(0.5% rdg +2 digits) at 23°C ±5°C (typ) Temperature coefficient: 300 ppm/°C (typ)</p> <p>● Output Current</p> <p>Display error ±(1% rdg +5 digits) at 23°C ±5°C (typ) Temperature coefficient: 400 ppm/°C (typ)</p> <p>● Voltmeter Display (Fixed Range)</p> <table border="1" style="margin-left: 20px;"> <tr><td>Rated Output Voltage</td><td>Max. Digit Displayed</td></tr> <tr><td>18V</td><td>19.99</td></tr> <tr><td>35V, 70V, 110V, 160V</td><td>199.9</td></tr> <tr><td>250V, 350V, 500V</td><td>999</td></tr> </table> <p>● Ammeter Display (Fixed Range)</p> <table border="1" style="margin-left: 20px;"> <tr><td>Rated Output Ampere</td><td>Max. Digit Displayed</td></tr> <tr><td>Model less than 1A</td><td>0.999</td></tr> <tr><td>Model more than 1A</td><td>9.99</td></tr> </table>	Rated Output Voltage	Max. Digit Displayed	18V	19.99	35V, 70V, 110V, 160V	199.9	250V, 350V, 500V	999	Rated Output Ampere	Max. Digit Displayed	Model less than 1A	0.999	Model more than 1A	9.99	<p>■ Ground</p> <p>Positive or negative ground</p> <p>■ Ambient Temperature</p> <p>0 to +40°C (no condensation)</p> <p>■ Ambient Humidity</p> <p>10 to 80% rh(no condensation)</p> <p>■ Cooling Method</p> <p>Conventional air cooling</p> <p>■ Isolation Voltage from Ground</p> <p>Models of which rated output voltage is 18V and 35V: ±250V Other Models: ±500V</p> <p>■ Protection</p> <p>Output overvoltage protection (OVP) Setting range: 5% to 105% of rating Input fuse / temperature fuse (130°C) Output voltage remote control By external voltage: 0 to 10V By external resistance: 0 to 10kΩ Output current remote control By external voltage: 0 to 10V By external resistance: 0 to 10kΩ Output ON/OFF control (Output off by external make contact) Remote sensing (Only models of which rated output voltage is 18V and 35V) Remote monitoring function Monitor signal output V MON (at rated voltage output): 10.0V±0.5V I MON (at rated current output): 10.0V±0.5V Status signal output OUT ON / CV /CC /ALM / PWR ON</p> <p>■ Operation</p> <p>Series operation*1 Parallel operation is available with same model.*2</p> <p>■ Dimensions (approx.)</p> <p>PMC-A Series</p> <p>Type I :107W × 124(134)H × 270(305)Dmm Type II:107W × 124(134)H × 350(385)Dmm</p> <p>PMC Series</p> <p>Type I :107W × 124(134)H × 270(290)Dmm Type II:107W × 124(134)H × 350(370)Dmm</p>
Rated Output Voltage	Max. Digit Displayed														
18V	19.99														
35V, 70V, 110V, 160V	199.9														
250V, 350V, 500V	999														
Rated Output Ampere	Max. Digit Displayed														
Model less than 1A	0.999														
Model more than 1A	9.99														

*1:The number of Power Supplies that can be connected in series is limited by the voltage rating with isolation voltage. For example, for 35V type 250/35=7.14...up to seven units can be connected.

*2:The number of Power Supplies that can be connected in parallel is limited up to four units including the master power supply.

Rear Panel

PMC-A Series



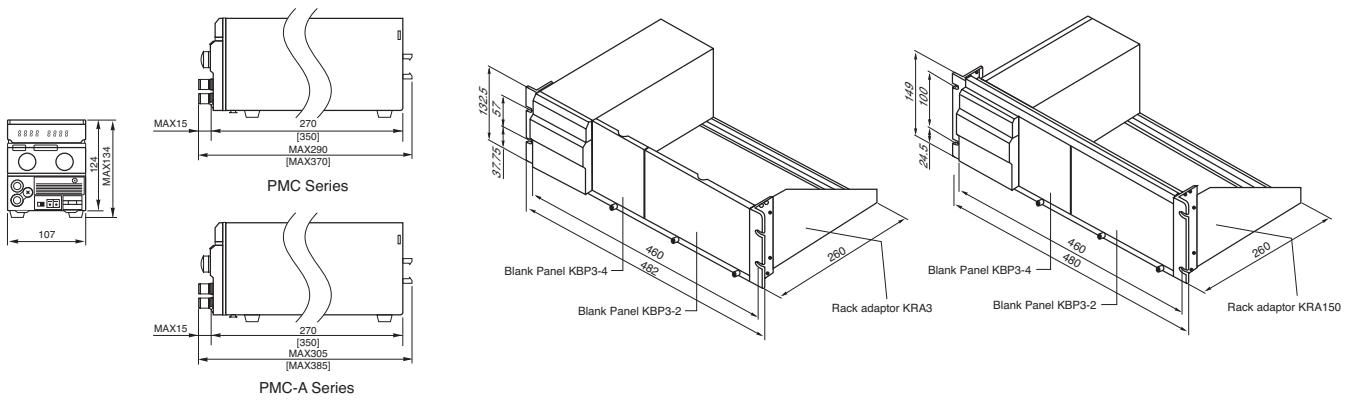
PMC Series



- 1 AC input terminal
- 2 Ground terminal
- 3 Master-slave parallel operation input and output terminals
- 4 Analog remote control terminal (PMC-A Series only)
- 5 AC input fuse holder

PMC-A/PMC Series External Dimensional Diagrams / Rack Mount Option

Unit:mm

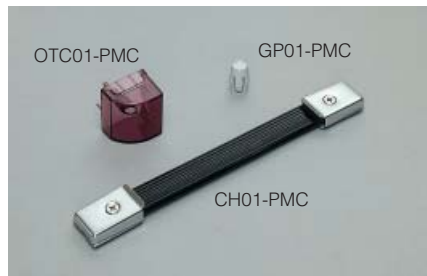


Dimensional Drawings [] for Type II

Options

- Output Terminal Cover ... OTC01-PMC
- Guard Cap..... GP01-PMC
- Carrying Handle CH01-PMC

*The CH01-PMC can be installed on the TYPE II models.



KIKUSUI ELECTRONICS CORPORATION

1-1-3, Higashiyamata, Tsuzuki-ku, Yokohama, 224-0023, Japan
Phone: (+81) 45-593-7570, Facsimile: (+81) 45-593-7571, www.kikusui.co.jp

KIKUSUI AMERICA, INC. Toll Free 1-800-KIKUSUI www.kikusui.us



1744 Rollins Road, Burlingame, CA 94010
Phone : 650-259-5900 Facsimile : 650-259-5904

KIKUSUI TRADING (SHANGHAI) Co., Ltd. www.kikusui.cn



Room, D-01,11F, Majesty Bld, No.138, Pudong Ave, Shanghai City
Phone : 021-5887-9067 Facsimile : 021-5887-9069

For our local sales distributors and representatives, please refer to "sales network" of our website.

Recycled Paper

●Distributor:

TEST INSTRUMENTS & POWER SUPPLIES
TEL: 0118 9786911 Fax: 0118 9792338
www.telonic.co.uk info@telonic.co.uk
SALES : SERVICE : CALIBRATION : HIRE

■ All products contained in this catalogue are equipment and devices that are premised on use under the supervision of qualified personnel, and are not designed or produced for home-use or use by general consumers. ■ Specifications, design and so forth are subject to change without prior notice to improve the quality. ■ Product names and prices are subject to change and production may be discontinued when necessary. ■ Product names, company names and brand names contained in this catalogue represent the respective registered trade name or trade mark. ■ Colors, textures and so forth of photographs shown in this catalogue may differ from actual products due to a limited fidelity in printing. ■ Although every effort has been made to provide the information as accurate as possible for this catalogue, certain details have unavoidably been omitted due to limitations in space. ■ If you find any misprints or errors in this catalogue, it would be appreciated if you would inform us. ■ Please contact our distributors to confirm specifications, price, accessories or anything that may be unclear when placing an order or concluding a purchasing agreement.

Printed in Japan

Issue:Nov.2007

2007011PDFEC21